



CommScope fibre optic drop cable assemblies for EMEA

Adapt and overcome your FTTH last-mile challenges

COMMScope[®]
an Amphenol company

Navigating the road to broadband for all

For network operators across Europe, the Middle East and Africa, true fibre-to-the-home (FTTH) is no longer just “nice to have”. It’s a necessity—for operators and their customers. The question now is how to get there.

Some providers are choosing to replace their entire existing network at once with an all-fibre architecture. Others are taking an incremental approach. Regardless of their strategy, every operator faces the same ultimate bottleneck: the last-mile connection to the customer—the most costly, difficult and time-consuming connection in the network.

A typical last-mile deployment may involve diverse applications—single-family homes, multiple dwelling units (MDUs), or office buildings; and different installation types—airial, underground conduit, in-ground burial. Network operators and their installation teams must be prepared to handle it all. Quickly, easily and efficiently.

Bottom line: Your drop cable selection is critical.

CommScope fibre drop cable assemblies: Fast, flexible, reliable

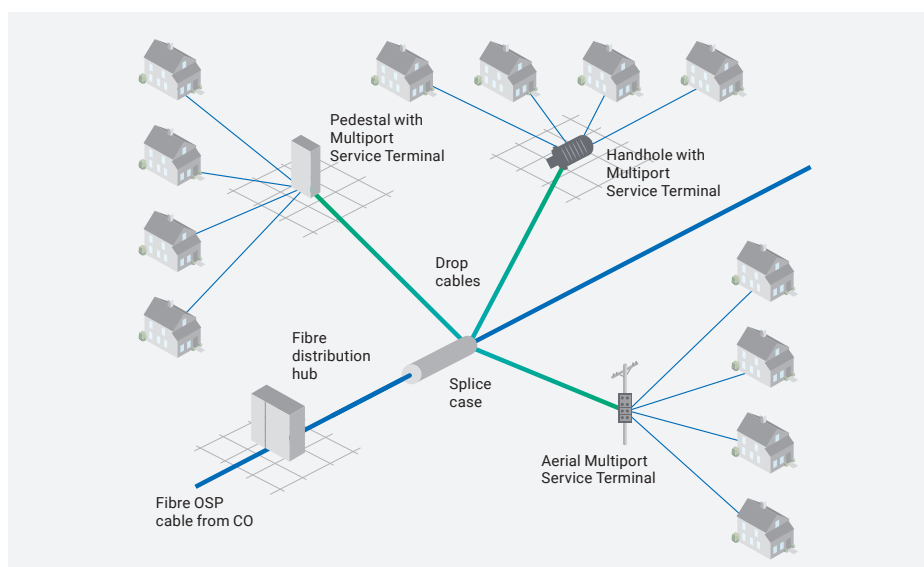
At CommScope, we get it. All our fibre drop cable assemblies are optimised for flexibility and speed. They include outdoor and indoor solutions, hardened and non-hardened, designed for aerial, in-ground and strand applications, as well as wall-mounted customer termination points.

Factory terminated*, with plug-and-play simplicity, they enable faster, more accurate connections. With a wide range of FTTH connectors—full size to miniaturised, standard and specialised—one portfolio enables you to tackle virtually any FTTH last-mile challenge. Engineered and tested to withstand the most demanding environmental conditions and mechanical stresses, CommScope drop fibre cable assemblies deliver performance you can count on, year after year.



* While most CommScope drop fibre cable assemblies are pre-connectorised, bulk cable options are also available.

Proven solutions for faster connections with your customers



CommScope **Prodigy® hardened cable assemblies** (HCAs) and **non-hardened cable assemblies** (NCAs) eliminate field splicing, reduce connection errors, accelerate service turn-up and withstand the toughest environments. Drop cable assemblies are designed and tested to perform in extreme sun, heat, cold, and moisture. High-performance CPR-rated indoor cables are also available to help ensure you meet the standards for today's FTTH installations.

Our fibre drop assemblies also feature an array of connectors and converters that enable you to address nearly any type of installation.

Factory-connected Prodigy hardened connectors and converters (detailed below) are universally interoperable with a range of

fibre terminals and cable assemblies. Converter kits enable installers to transition from full-size (OptiTap®), SC/LC and DLX® connectors to Prodigy.

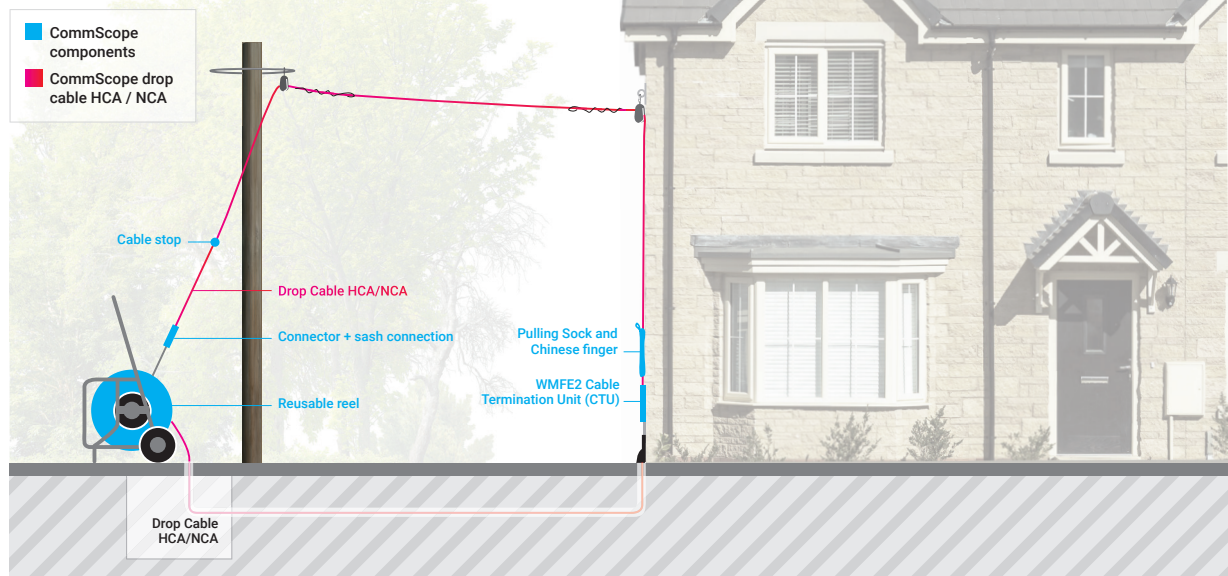
Hardened multi-fibre optical connectors (HMFOCs) pair perfectly with CommScope multifibre hardened drop (MHD) cable. Connectors are water-sealed and feature a 12-fibre MT ferrule to handle a wide range of multifibre applications.

We also offer standard SC and LC connectors with both angle polished (APC) and flat polished (PC) finishes. These can be factory terminated onto our NCA (outdoor) and **fibre indoor drop** (FID) cables.

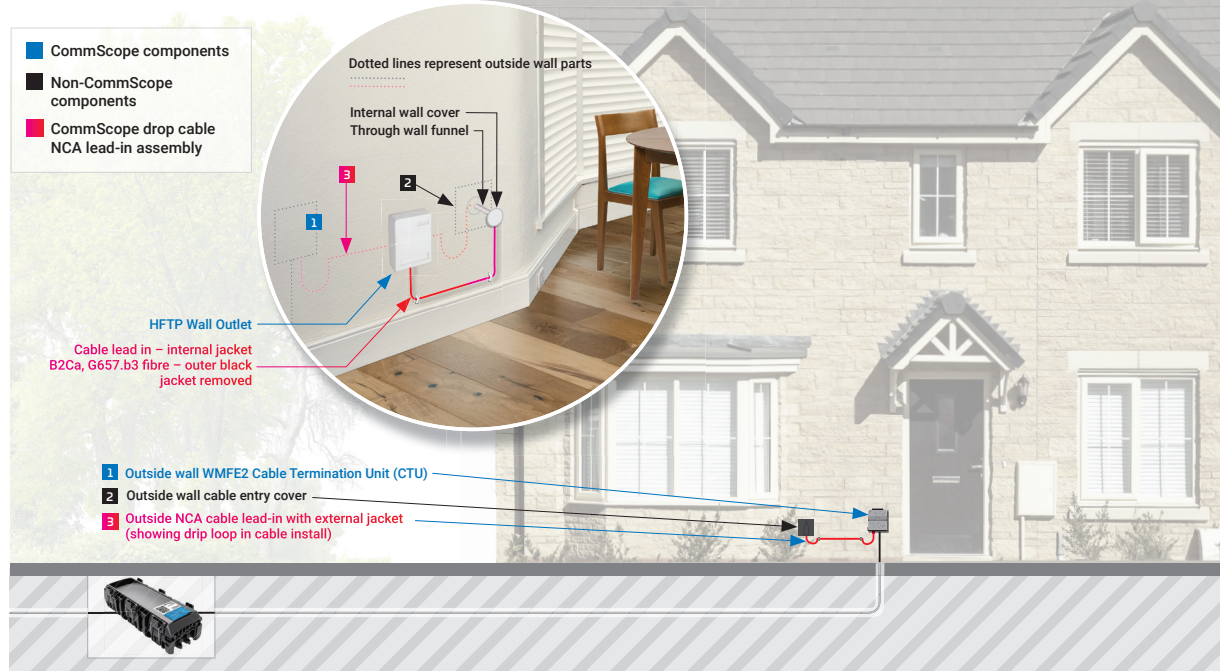
Connector	Minimum hole size for connector*	Physical contact	Maximum insertion loss**	Typical insertion loss	Reflection	Retention force
Prodigy connector	15 mm	Angled polished contact (APC), standard 8-degree angle	≤ 0.4 dB	≤ 0.12 dB	≤ -65 dB	300 N
Full-size converter	21 mm	Angled polished contact (APC), standard 8-degree angle	≤ 0.4 dB	≤ 0.12 dB	≤ -65 dB	300 N
DLX converter	17 mm	Angled polished contact (APC), standard 8-degree angle	≤ 0.4 dB	≤ 0.12 dB	≤ -65 dB	300 N
HMFOC	19 mm	Angled polished contact (APC), standard 8-degree angle	≤ 0.45 dB	≤ 0.12 dB	≤ -65 dB	300 N
SC/APC	13 mm	Angled polished contact (APC), standard 8-degree angle	≤ 0.3 dB	≤ 0.12 dB	≤ -65 dB	70 N
SC/APC converter	13 mm	Angled polished contact (APC), standard 8-degree angle	≤ 0.3 dB	≤ 0.12 dB	≤ -65 dB	70 N
SC/PC	13 mm	Flat polished contact (PC)	≤ 0.3 dB	≤ 0.12 dB	≤ -55 dB	70 N
LC/APC	13 mm	Angled polished contact (APC), standard 8-degree angle	≤ 0.3 dB	≤ 0.12 dB	≤ -65 dB	70 N
LC/PC	13 mm	Flat polished contact (PC)	≤ 0.3 dB	≤ 0.12 dB	≤ -55 dB	70 N

Simplified and flexible installation

External Drop Aerial and UG – Components



Dual-jacket lead-in cable assembly components



CommScope’s fibre connectivity portfolio brings together four complementary product families designed to streamline network deployment from the outside plant to the customer premises. **HCA** solutions deliver robust, hardened connectivity for fast, reliable installation in diverse outdoor environments. **NCA** solutions provide durable, non hardened drop options that stand up to demanding conditions while ensuring easy routing and termination at the premises. For higher density applications, **MHD** assemblies provide plug and play multifibre connections that simplify aerial, underground and terminal to terminal links. Inside the home or building, the **FID** family offers a discreet, bend insensitive cabling solution that supports clean, simple installation with dependable performance. Together, these four solutions create a complete ecosystem engineered for smooth and efficient end to end FTTX deployment.

Prodigy small form hardened connector solution

The Prodigy plug-and-play hardened connector system unlocks the potential of your FTTH network. It combines compact universal connectors that are up to 60% smaller than full-size connectors, and backward-compatible converter kits that support full-size (OptiTap), SC/LC, DLX and other hardened port types. The Prodigy ecosystem also offers compact, hardened fibre terminals, including the CommScope NOVUX™ series.

Prodigy hardened cable assemblies replace patchwork cables and components. The result? Simplified ordering, accelerated deployment and improved compatibility between network elements. Now, installers can run a single drop cable assembly and convert the Prodigy connector to the required connector in the connection box. Its smaller size enables use of a more compact terminal and more deployment options.



Designed to withstand rugged outside plant environments, Prodigy HCAs meet the speed, density, reliability, flexibility, ease of installation and performance needs of today and tomorrow.

Full-size converter kit



Bayonet converter kit



DLX converter kit



SC converter



Features and Benefits

- Small footprint for high-density environments
- Compatible with multiple hardened connectors
- Pre-assembled converter kits can be pre-installed
- Self-guided auto-alignment minimises risk of connection errors
- Cable assemblies are available with round and universal round cable options
- Built-in sustainability:
 - Reusable core connectors
 - Improved density
 - Fully recyclable

Cable type	F – round dielectric	G – round dielectric	K – round dielectric	J – round dual jacket
Construction type	Gel free, 900 um tight buffer	Gel filled, 250 um	Gel free, 900 um tight buffer	Gel free, dual jacket, 900 um tight buffer
Dimensions	Ø3.4 mm	Ø4.5 mm	Ø5.0 mm	Ø4.5 mm / Ø2.8 mm
Jacket material	LSZH	LSZH	PE	PE
Jacket colour	Black	Black	Black	Black / White
UV resistant	Yes	Yes	Yes	Yes
CPR rating	Dca	Dca	NA	B2Ca - Inner
Minimum bend radius (loaded)	30 mm	75 mm	100mm	100 mm
Operating temperature	-30 °C to +65 °C	-25 °C to +70 °C	-20 °C to +70 °C	-20 °C to +60 °C
PIA approved ⁽¹⁾	No	No	Yes	No



MHD drop cables

CommScope multifibre hardened drop (MHD) cable incorporates 12 optical fibres in one hardened cable that's terminated with a factory-sealed HMFOC. A 12-fibre mobile-terminated (MT) ferrule is enclosed in a water-sealed connector housing for outside plant applications.

As with standard MT connectors, the alignment of the two MT ferrules is dictated by two high-precision pins. The MT ferrule on one end of the cable is offset deep inside the connector body, referred to as the "jack". The connector body on the other end, known as the "plug", positions the MT ferrule on the connector body surface.

Unlike a standard MT connector, the jack and plug on the MHD assemblies can be mated directly without an adapter by aligning the two connectors and screwing the plug's coupling nut on to the jack's body.

- Factory terminated and environmentally sealed for optical drop cable deployments
- Hardened connector technology designed to withstand rugged outside plant environments
- Simplifies installation and maintenance by reducing splicing requirements in the distribution network
- Available in breakout assemblies



Figure 1: HMFOC plug/
non-pinned/female



Figure 2: HMFOC jack/
pinned/male

NCA drop cable series

CommScope non-hardened drop cable assemblies (NCAs) connect the distribution point to the customer premises. Our NCA assemblies use the same cable construction as the hardened Prodigy solutions, while providing an easy-to-handle, non-hardened, connectorised FTTH drop cable solution. These characteristics make them especially appropriate for deployment in “connector-in-the-box” distribution point installations.

Ruggedised NCA assemblies are available as pigtailed and patch cords and can also be used for external MDU connections. An NCA dual-jacket, “lead-in” cable provides a higher CPR rating and good bend performance to ease routing within raceways and mouldings or around the perimeter of a room.

NCA cable assemblies 20 metres and up are supplied ready for installation when using the CommScope reusable reel.

- Factory-terminated optical drop cable assemblies
- Available in SC and LC connectors with APC and PC finishes
- Cable assemblies are available with round and universal round cable options
- Built-in TPU
- Fully recyclable



Cable type	G – round dielectric	J – round dual jacket	Y – round dielectric
Construction type	Gel filled, 250 um	Gel free, dual jacket, 900 um tight buffer	Gel free, 900 um tight buffer
Dimensions	Ø4.5 mm	Ø4.5 mm / Ø2.8 mm	Ø3.0 mm
Jacket material	LSZH	PE	LSZH
Jacket colour	Black	Black / White	Black
UV resistant	Yes	Yes	Yes
CPR rating	Dca	B2Ca - Inner	Dca

FID drop cable series

CommScope fibre indoor drop cables (FID) provide the flexibility, handling and performance needed inside residential, business or multiple dwelling unit (MDU) structures. Yet they are also rugged enough to handle the rigours of the outdoor environment.

FID drop cables feature G657 B3 fibre and enable a fibre bend radius as small as 5 mm without changing attenuation. They improve insertion loss (IL) performance for 90-degree bend locations, common in MDU installations—greatly reducing the risk of bend-induced IL. In addition, the rugged 2.8 mm cable construction provides the flexibility and durability to withstand the most demanding applications and are CPR rated for safety compliance.



CommScope’s FID drop cables help ensure quick and easy deployment and increased reliability, enabling fast service turn-up, improved network reach, and lower overall network operating and maintenance costs.

- Factory-terminated optical drop cable assemblies
- Available in SC and LC connectors with APC and PC finishes
- Cable assemblies are available with round 2.8 mm E cable
- Built-in sustainability
- Fully recyclable

Cable type	E – round dielectric
Construction type	Gel free, dual jacket, 900 um tight buffer
Dimensions	Ø2.8 mm
Jacket material	LSZH
Jacket colour	White
UV resistant	Yes
CPR rating	B2Ca
Minimum bend radius (loaded)	30mm
Operating temperature	-5 °C to +60 °C

Ordering Information — Prodigy Hardened Cable Assembly

HCA- [] [] [] [] - [] [] [] [] [] - [] [] [] []

Connector A

A	Prodigy core only
B	Bayonet converter factory installed
D	Full size and bayonet converter included
E	Female bayonet converter included
F	Female full-size converter included
H	Full-size converter factory installed
L	SC/APC (*)
N	SC/UPC (*)
R	LC/APC (*)
S	LC/UPC (*)
X	DLX converter factory installed

Connector B

A	Prodigy core only
B	Bayonet converter factory installed
D	Full size and bayonet converter included
E	Female bayonet converter included
F	Female full-size converter included
H	Full-size converter factory installed
L	SC/APC (*)
N	SC/UPC (*)
R	LC/APC (*)
S	LC/UPC (*)
X	DLX converter factory installed

Customisation

XXXX Customer / country code

Unit of measure

M	Metre
D	Decimetre

Cable length

XXXX 0010 - 0600

Cable type

F	3.4 mm Indoor / Outdoor round
G	4.5 mm round
J	5 mm / 2.8 mm dual jacket round
K	5 mm round

Fibre count

1	1 Fibre
---	---------

* SC and LC only possible on inner jacket of dual-jacket J cable
Cable lengths shown as a range, additional cable lengths available upon request

Ordering Information — MHD Drop Cable Series

MHD - [] [] D [] - [] [] [] [] [] []

Connector A

F	HMFOC Plug / non-pinned / female
M	HMFOC Jack / pinned / male

Connector B

O	Stub
F	HMFOC Plug / non-pinned / female
M	HMFOC Jack / pinned / male

Special Request

R Spooled: Connector B deploys first from spool

Unit of measure

F	Feet
M	Meter

Cable lengths*

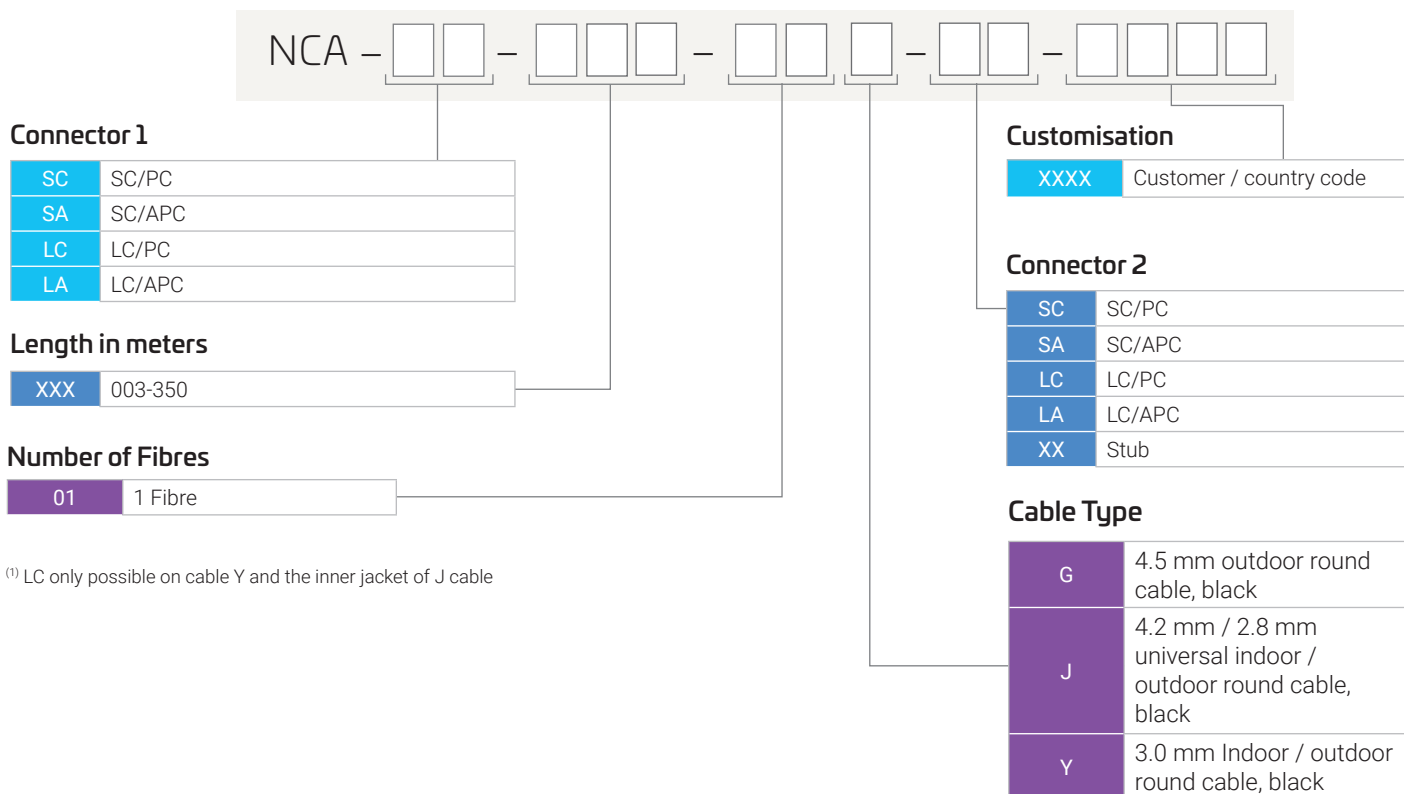
0025	25 feet
0100	100 feet
1000	1000 feet
3000	3000 feet

Cable type

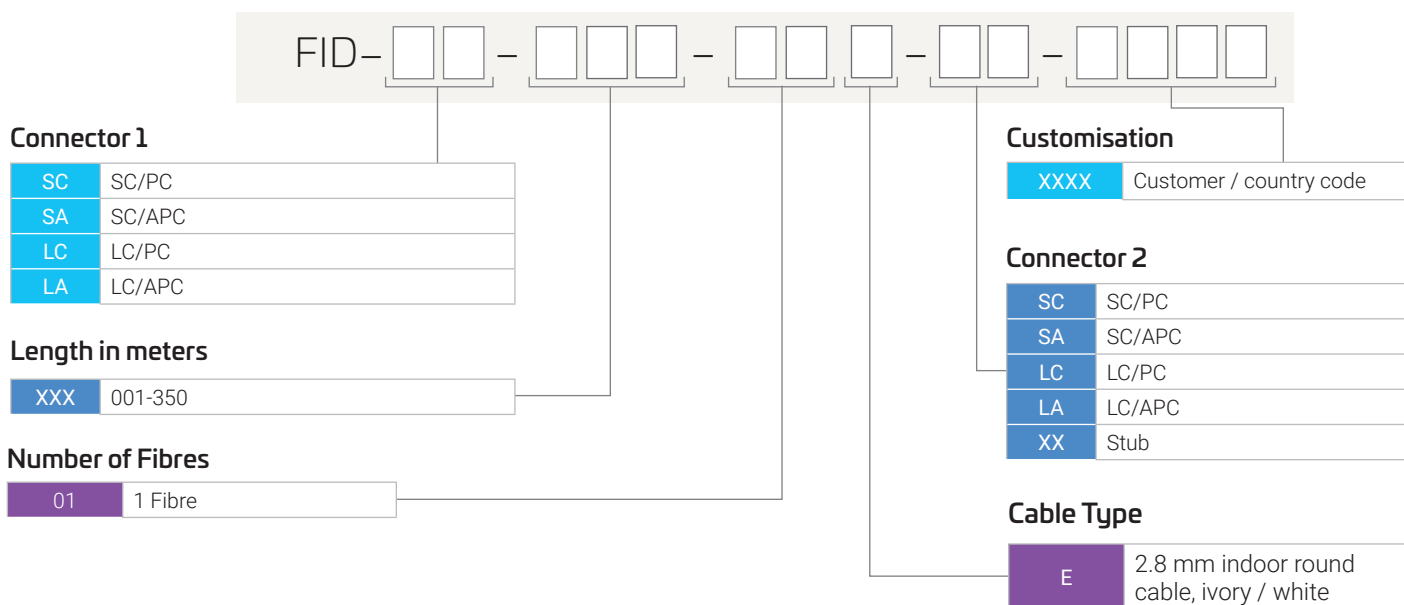
A	12F flat dielectric
G	12F flat toneable

* Cable lengths shown as an example; additional cable lengths available in increments of 25 feet up to 3,000 feet. Drops are automatically collod 0 to 300. Drops are automatically spooled at 301 ft with Connector A deploying first from the spool.

Ordering Information — Non-hardened cable assemblies



Ordering Information — Fibre indoor drops



For special cable assembly configurations, hardened or non-hardened, please contact your local CommScope representative

Accessories

Fibre drop cable assembly accessories and test cables

MID		Description
760252078	1	HCA-ACC-BAYONET-CVTR (converter for Prodigy connector to bayonet connector)
760255490	2	HCA-ACC-FEMALE-BAYONET-CVTR (converter for Prodigy connector to female bayonet connector)
760252079	3	HCA-ACC-FULLSIZE-CVTR (converter for Prodigy connector to full-size connector)
760255254	4	HCA-ACC-FEMALE-FULLSIZE-CVTR (converter for Prodigy connector to female full-size connector)
760252080	5	HCA-ACC-DLX-CVTR (converter for Prodigy connector to DLX connector)
760252081	6	HCA-ACC-SCAPC-CVTR (converter for Prodigy connector to SC/APC connector)
460201619	7	Prodigy fibre optic cleaner
460200608	8	FHD-ACC-REUSABLE-REEL
760262598	9	NCA pulling sock kit
760255889	10	HCA-ACC-3 mm test lead 10 ft, Prodigy to SC/APC (includes full size and DLX converters)
760255888	10	HCA-ACC-3 mm test lead 20 ft, Prodigy to SC/APC (includes full size and DLX converters)
760258038	10	HCA-ACC-3 mm test lead 40FT, Prodigy to SC/APC (includes full size and DLX converters)
760258039	10	HCA-ACC-3 mm test lead 50FT, Prodigy to SC/APC (includes full size and DLX converters)
MHD-ACC-F12J	11	HMFOC plug/non-pinned/female to 12 SC/APCs, 3 feet
MHD-ACC-M12J	11	HMFOC jack/pinned/male to 12 SC/APCs, 3 feet





Sustainability to our core

With a presence in more than 150 countries, CommScope is committed to measuring and reducing our environmental impact on a global scale. Sustainability guides every decision we make—especially in product design and engineering. We prioritise responsibly sourced, regulation compliant materials and we design our solutions for long service life.

All our cable assemblies—including the 3 mm round NCA, 4.5 mm dual jacket lead in and 5 mm round HCA solutions—feature packaging that eliminates single use plastics and is fully recyclable. For added transparency, we are introducing Environmental Product Declarations (EPDs) across our entire drop cable assemblies portfolio. As an example, the EPD for our 5 mm round hardened cable assembly confirms its high biogenic carbon content and production in a facility powered entirely by renewable energy.

At CommScope, we continue to advance environmental stewardship across our operations and supply chain—delivering solutions that support a more sustainable future.

Engineering the future of broadband

Service providers across the EMEA region trust CommScope for high-performance, flexible connectivity solutions that optimise their FTTH/FTTP opportunities. Our proven, innovative technologies help deploy faster, simplify management and scale to meet the demands of Broadband for Everyone™ connectivity. Backed by 50 years of technical and field success, CommScope solutions, like our dual-jacket cable lead-in assemblies, empower EMEA providers to deploy with speed and confidence, while maximising cost efficiency and long-term value.

Discover more at commscope.com.

CommScope pushes the boundaries of communications technology with game-changing ideas and ground-breaking discoveries that spark profound human achievement. We collaborate with our customers and partners to design, create and build the world's most advanced networks. It is our passion and commitment to identify the next opportunity and realise a better tomorrow.

Discover more at commscope.com



commscope.com

©2026 CommScope Technologies LLC, an Amphenol company. All rights reserved.

CommScope and the CommScope logo are registered trademarks of CommScope and/or its affiliates in the U.S. and other countries. For additional trademark information see <https://www.commscope.com/trademarks>. All product names, trademarks and registered trademarks are property of their respective owners.

BR-120614-EN (03/26)